

CHECKLIST FLAT ROOF



华创天晟
CNTSUN

Please complete this form and send it by mail to sales@cntsun.com

Items marked with * must be completed.

RESET

PRINT

1. PROJECT DETAILS

Name of Customer

Name of Project

Project Location (Postcode+City+Country)

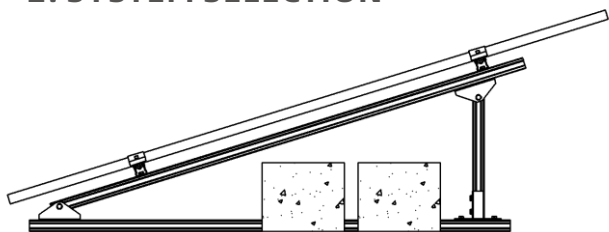
Wind Load

(m/s) *

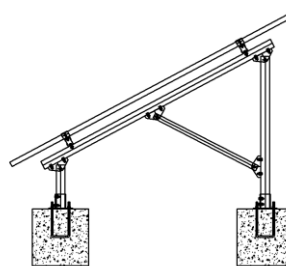
Snow Load

(KN/m2) *

2. SYSTEM SELECTION



Ballasted



Roof-Base

3. OBSTACLES *

YES

NO

Note: If there are any obstacles, please provide the module layout or the roof plan.

4. BUILDING DATA

A: Roof Length

(m) *

B: Roof Width

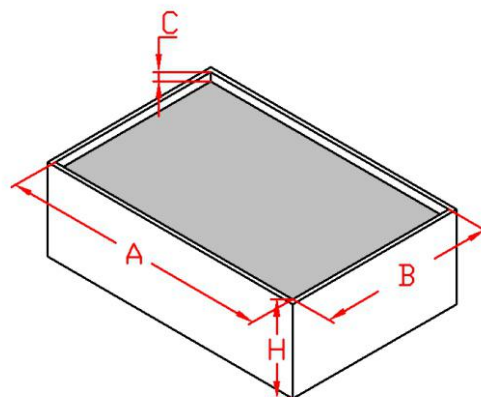
(m) *

C: Roof Parapet height

(m) *

H: Building Height

(m) *



Note: If available, please provide photos and dimension of roof.

5、 ROOF MATERIAL

COEFFICIENT OF FRICTION:

Membrane/PVC

Bituminous

Gravel

Concrete

Green/Brown

Other

6、 BALLAST BLOCK SPECIFICATION

If you would like us to design it, you can leave the following content blank.

X X mm

Dimensions * (Length × Width × Thickness)

Note: If possible, please provide the dimensions or drawings.

7、 MODULE DETAILS

X X mm

Dimensions * (Length × Width × Thickness)

wp
Output

kg
Weight

°
Tilt Angle *

Module Layout * :

Module Orientation * : Landscape Portait

Note: If available, please provide module specification.

8、 SCOPE OF SUPPLY * (Multiple choice)

Solar Mounting

Earthing System

Ballast Block

Other:

OTHER REQUIREMENTS

A large grid of graph paper, consisting of 20 columns and 30 rows of small squares, intended for writing or drawing. The grid is light blue with thin grey lines.