

# CHECKLIST METAL ROOF



华创天晟  
CNTSUN

Please complete this form and send it by mail to sales@cntsun.com

Items marked with \* must be completed.

RESET

PRINT

## 1. PROJECT DETAILS

Name of Customer

Name of Project

Project Location (Postcode+City+Country)

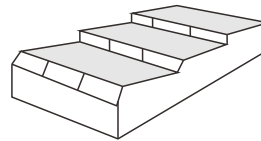
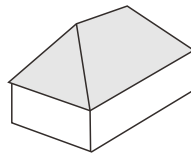
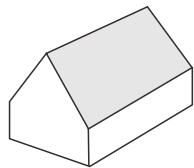
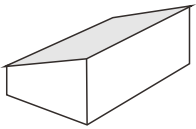
Wind Load

(m/s) \*

Snow Load

(KN/m2) \*

## 2. ROOF TYPE



Single Pitched

Double Pitched

Hipped Roof

Shed Roof

Other

## 3. OBSTACLES \* ( Multiple-Choice )

Skylights

Chimney

Vent

Aerial

None

Other

Note: If available, please provide drawings or photos of obstacles, etc.

## 4. BUILDING DATA

A: Building Width

(mm)

B: Building Length

(mm)

C: Roof Width

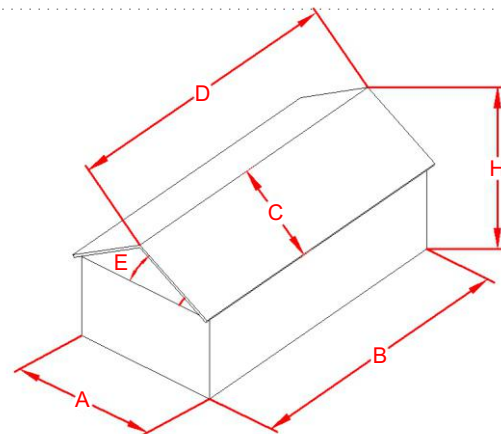
(mm) \*

D: Roof Length

(mm) \*

E: Roof Pitch

° \*



Note: If available, please provide roof photos.

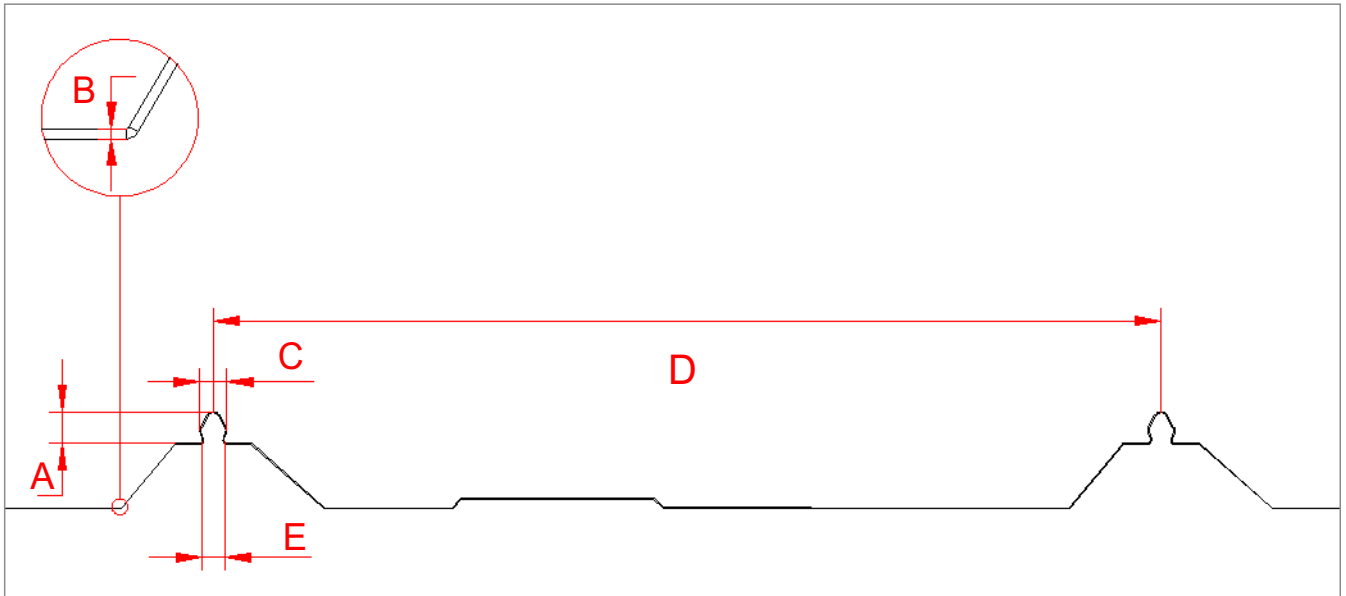
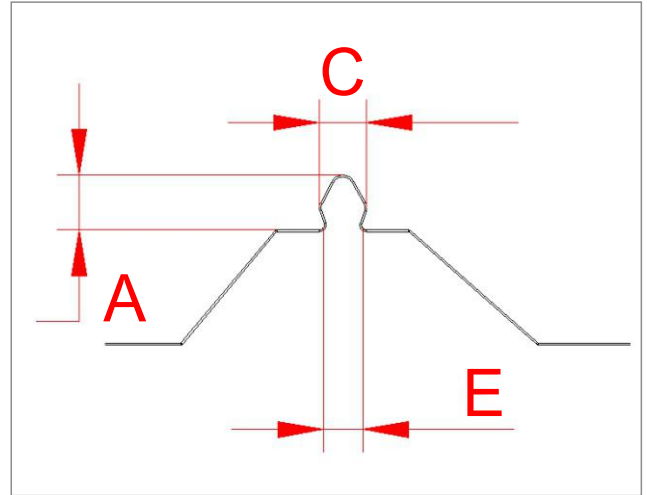
H: Building Height

(mm) \*

## 5、 METAL ROOF TYPES ( OPTIONAL)

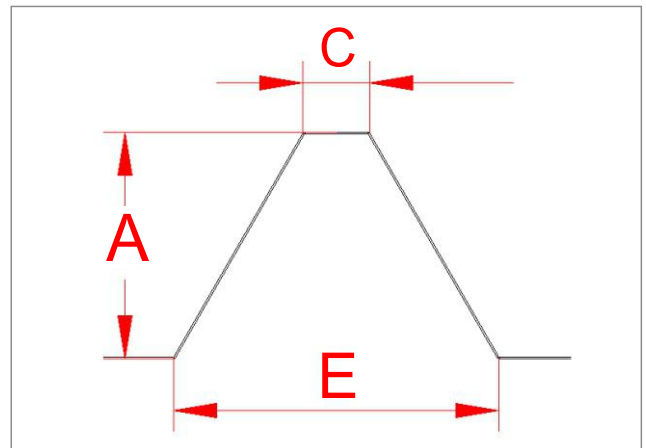
### □ Standing Seam

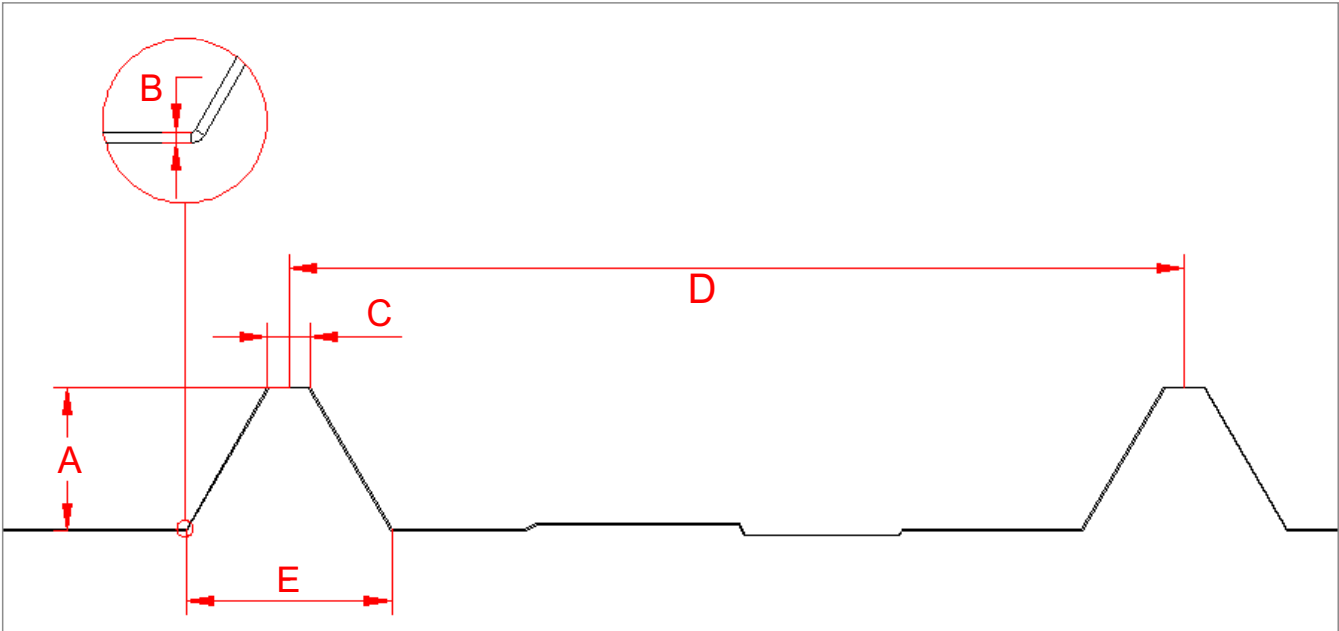
- (mm) \*:  
A: Height of Crest
- (mm) \*:  
B: Thickness
- (mm) \*:  
C: Width Of Upper Crest
- (mm) \*:  
D: Crest Spacing
- (mm) \*:  
E: Width of Lower Crest



### □ TRAPEZOIDAL SHEET METAL

- (mm) \*:  
A: Height of Crest
- (mm) \*:  
B: Thickness
- (mm) \*:  
C: Width Of Upper Crest
- (mm) \*:  
D: Crest Spacing
- (mm) \*:  
E: Width of Lower Crest





**OTHER METAL ROOF**

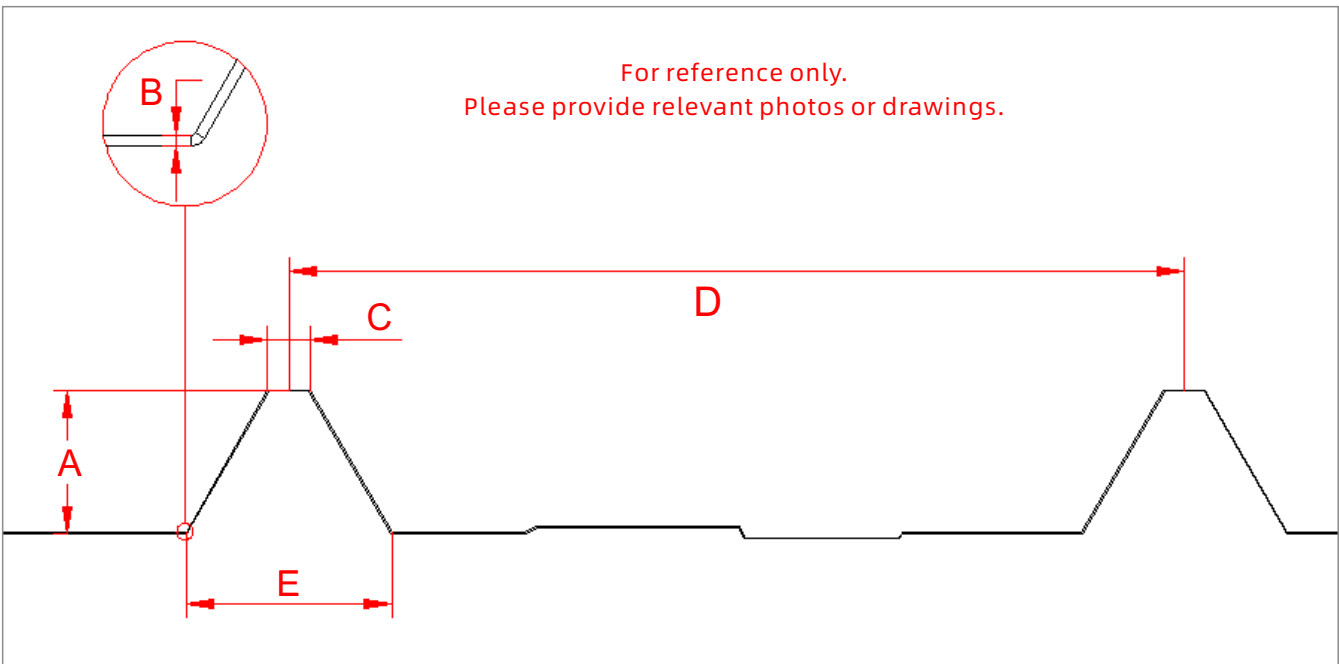
(mm) \*  
A: Height of Crest

(mm) \*  
C: Width of Upper Crest

(mm) \*  
B: Thickness

(mm) \*  
D: Crest Spacing

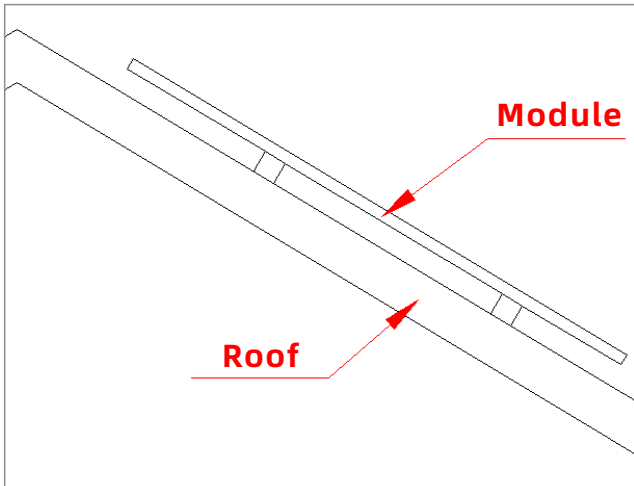
(mm) \*  
E: Width of Lower Crest



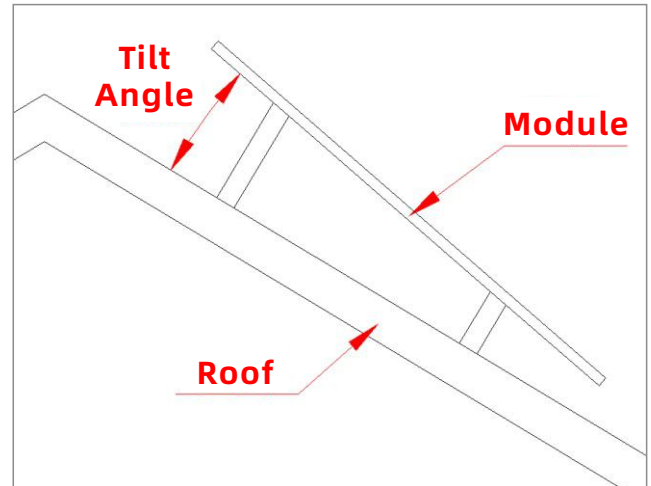
Note: If the tile is of a special type, please provide a photo or drawing of the tile.

## 6、 TILT \*

No (Parallel)



Yes:  °



## 7、 MODULE DETAILS

X  X  mm

Dimensions \* ( Length × Width × Thickness )

wp  
Output

kg  
Weight

Module Orientation \* :  Landscape  Portrait

Note: If available, please provide module specification.

## 8、 MATERIAL REQUIREMENTS

Tick below if specifically requested.

Material ( Single Choice )		
Clamp	Rail	Fasteners
<input type="checkbox"/> Aluminum Alloy <input type="checkbox"/> Hot-Dip Galvanized Steel <input type="checkbox"/> Stainless Steel Other: <input type="text"/>	<input type="checkbox"/> Aluminum Alloy <input type="checkbox"/> Hot-Dip Galvanized Steel <input type="checkbox"/> Stainless Steel Other: <input type="text"/>	<input type="checkbox"/> Aluminum Alloy <input type="checkbox"/> Hot-Dip Galvanized Steel <input type="checkbox"/> Stainless Steel Other: <input type="text"/>

**Clamp Thickness :**

3.0mm       3.5mm       4.0mm      Other:

**Rail Thickness :**

1.3mm       1.5mm       1.8mm      Other:

Other Requirements:

Note: If possible, please provide the dimensions or drawings of the rails and clamps.

**9、SCOPE OF SUPPLY \* ( Multiple choice)**

Solar Mounting       Modular Walkway       Earthing System

Other:

**OTHER REQUIREMENTS**

