

CHECKLIST TILED ROOFS



华创天晟
CNTSUN

Please complete this form and send it by mail to sales@cntsun.com

Items marked with * must be completed.

RESET

PRINT

1. PROJECT DETAILS

Name of Customer

Name of Project

Project Location (Postcode+City+Country)

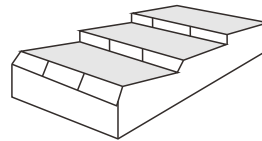
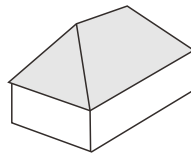
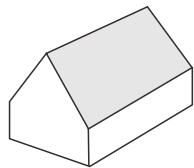
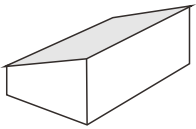
Wind Load

(m/s) *

Snow Load

(KN/m2) *

2. ROOF TYPE



Single Pitched

Double Pitched

Hipped Roof

Shed Roof

Other

3. OBSTACLES * (Multiple-Choice)

Skylights

Chimney

Vent

Aerial

None

Other

Note: If available, please provide drawings or photos of obstacles, etc.

4. BUILDING DATA

A: Building Width

(mm)

B: Building Length

(mm)

C: Roof Width

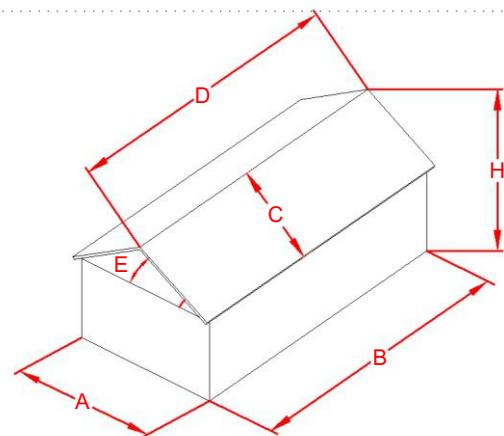
(mm) *

D: Roof Length

(mm) *

E: Roof Pitch

° *



Note: If available, please provide roof photos.

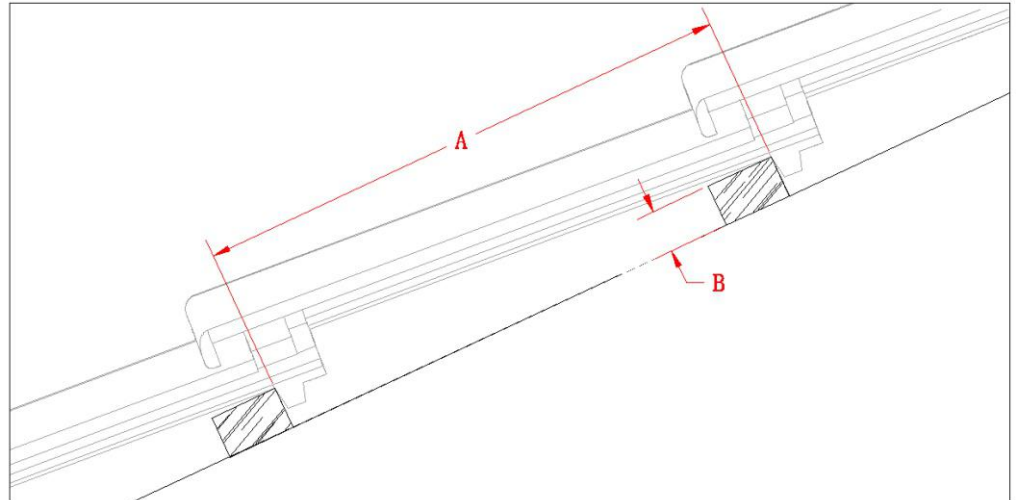
H: Building Height

(mm) *

5、 SUPPORTING STRUCTURE/ RAFTER

A: Batten Spacing *

B: Batten Height *



(mm) *

A: Batten Spacing

(mm) *

B: Batten Height

Rafter Material:

Concrete

Timber

Steel

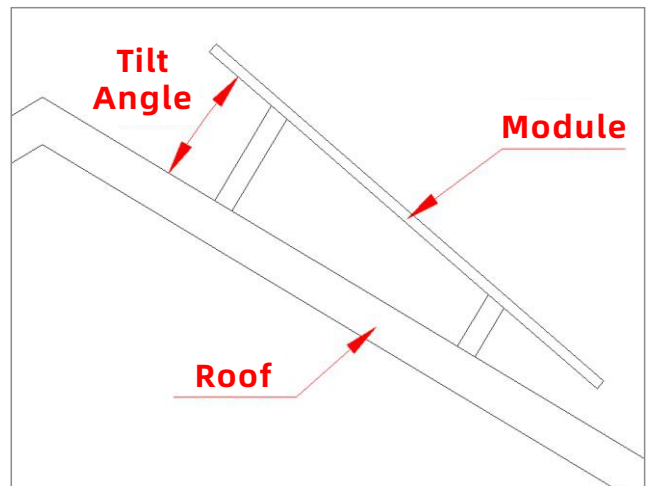
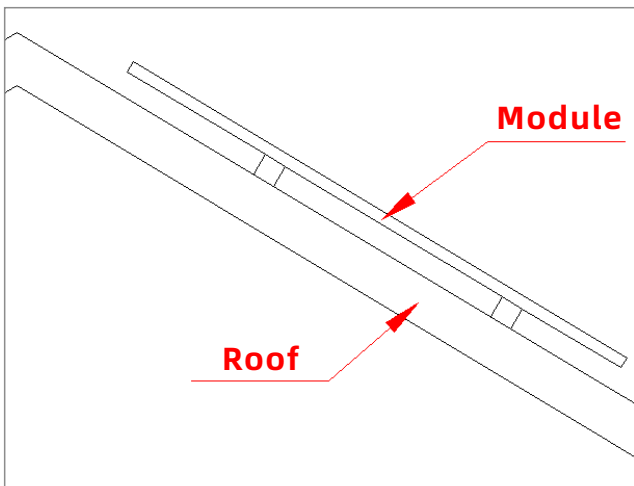
Other

Note: If available, please provide a photo or drawing of the tile.

6、 TILT *

No (Parallel)

Yes: °



7、MODULE DETAILS

X X mm
Dimensions * (Length × Width × Thickness)

wp kg
Output Weight

Module Orientation * : Landscape Portait

Note: If available, please provide module specification.

8、 MATERIAL REQUIREMENTS

Tick below if specifically requested.

Material (Single Choice)		
Roof Hook	Rail	Fasteners
<input type="checkbox"/> Aluminum Alloy <input type="checkbox"/> Hot-Dip Galvanized Steel <input type="checkbox"/> Stainless Steel Other: <input type="text"/>	<input type="checkbox"/> Aluminum Alloy <input type="checkbox"/> Hot-Dip Galvanized Steel <input type="checkbox"/> Stainless Steel Other: <input type="text"/>	<input type="checkbox"/> Aluminum Alloy <input type="checkbox"/> Hot-Dip Galvanized Steel <input type="checkbox"/> Stainless Steel Other: <input type="text"/>

Hook Thickness:

3.0mm 3.5mm 4.0mm Other:

Rail Thickness:

1.3mm 1.5mm 1.8mm Other:

Other Requirements:

Note: If possible, please provide the dimensions or drawings of the rails and hooks.

9、 SCOPE OF SUPPLY * (Multiple choice)

Solar Mounting Modular Walkway Earthing System

Other:

OTHER REQUIREMENTS

A large rectangular area filled with a light blue grid pattern, intended for writing or drawing. The grid consists of small, uniform squares.